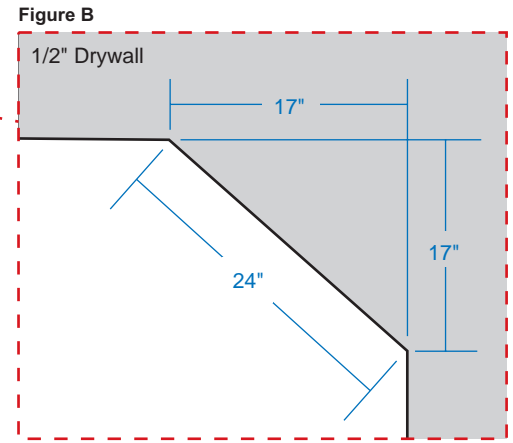
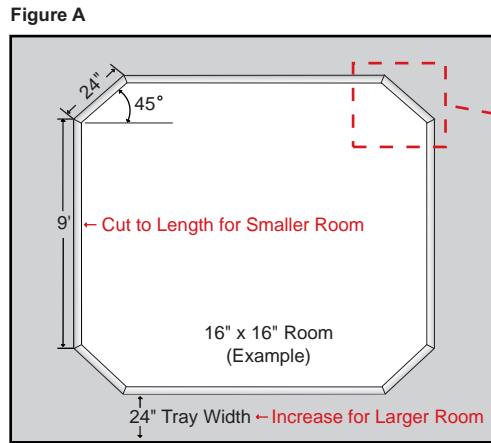
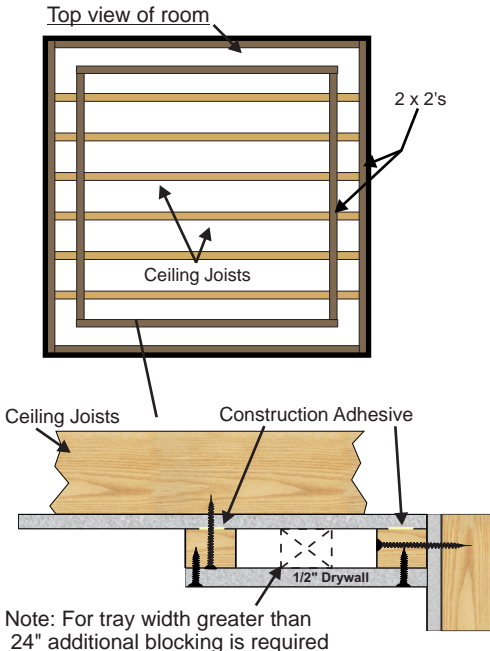




Please read entire instruction before proceeding.

Improper installation will void any applicable warranty.



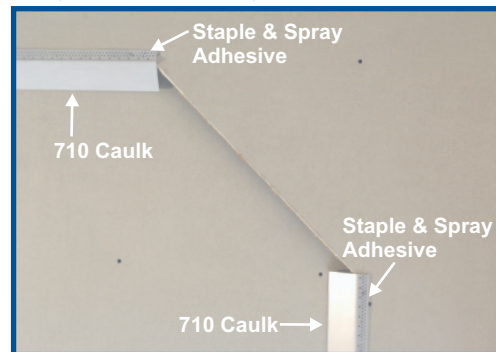
FRAMING:

The EZ Tray Kit is designed to quickly build an EZ Tray ceiling in a 16" x 16" room with a 24" Tray Width. For larger or smaller rooms you can adjust the Tray Ceiling by cutting the EZ Tray lengths or adjusting the Tray Width. The Kit comes with four 9' long pieces, four 24" pre-mitered clips and 2 tubes of Trim-Tex 710 Adhesive Caulk. Use these dimensions to figure out the size of your desired Tray Ceiling as shown in Figure A, then begin framing. First frame out the Tray Ceiling using a high quality Construction Adhesive, and screws to secure 2x2's to the ceiling joist or wall studs as shown. Install 1/2" drywall to the 2x2's as shown and cut the corners of the drywall to 24" clips as shown in Figure B. Now you're ready to install EZ-Tray.

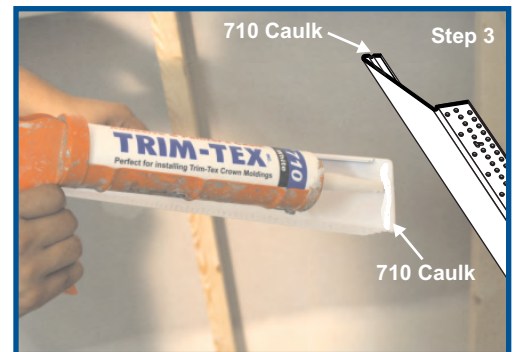
INSTALLING EZ TRAY KIT:



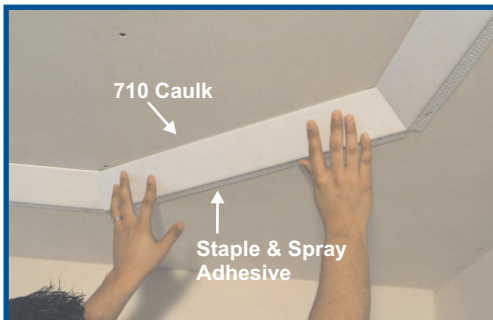
Step 1
Use a speed square to mark a straight line, then snip and dry fit the piece to ensure an accurate cut.



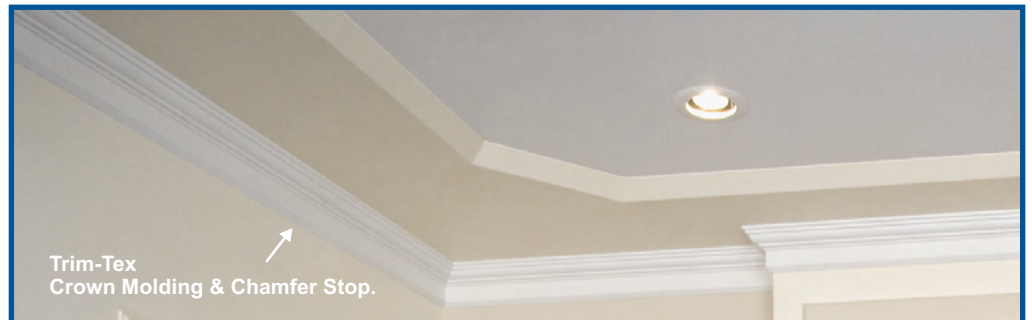
Step 2
Install the EZ-Tray using Trim-Tex 710 Adhesive Caulk and 1/2" divergent staples every 6", and/or Trim-Tex 847 Spray Adhesive.



Step 3
Use Trim-Tex 710 Adhesive Caulk along the front edge of the bead and return legs as shown.



Step 4
Install your 24" pre-mitered clips OVER the previously installed pieces using the previous installation method.



Step 5
Finish the installation by mudding, sanding and painting the bead as you normally would any other bead. Add Trim-Tex Crown Molding on drywall layers to further enhance your project.